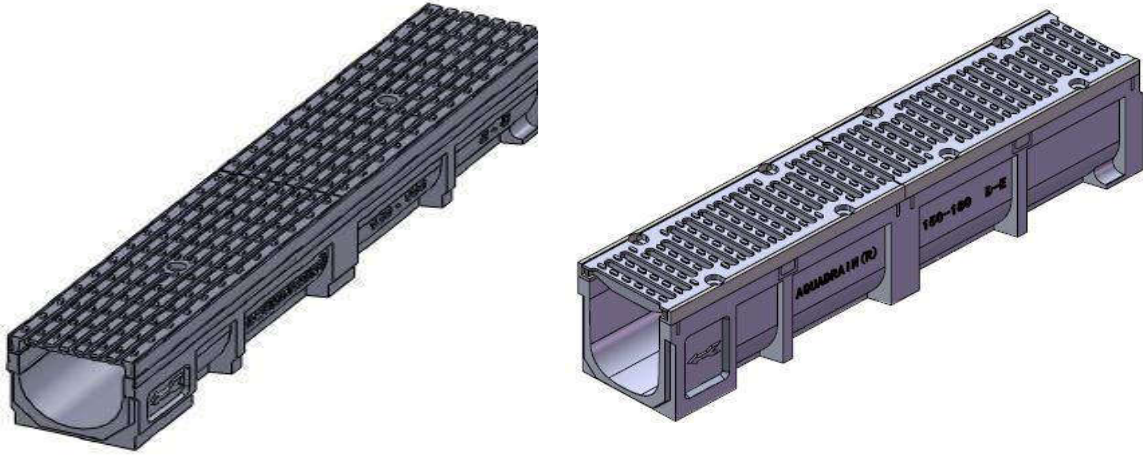
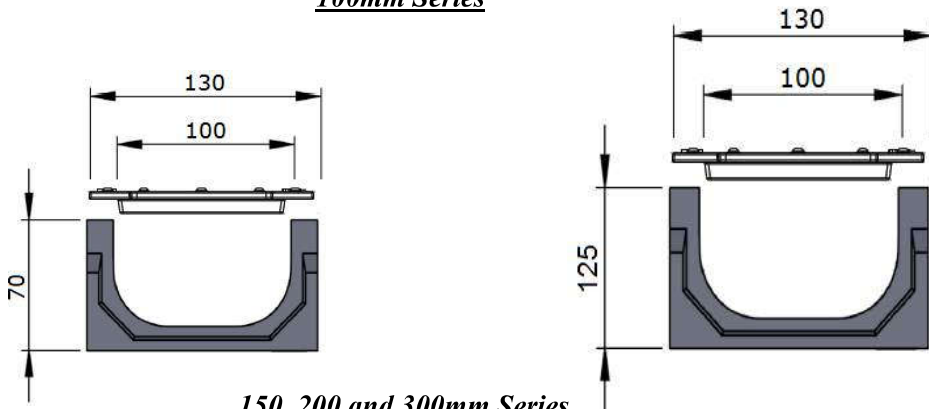


Profiles for Channels with Ductile Iron Grates

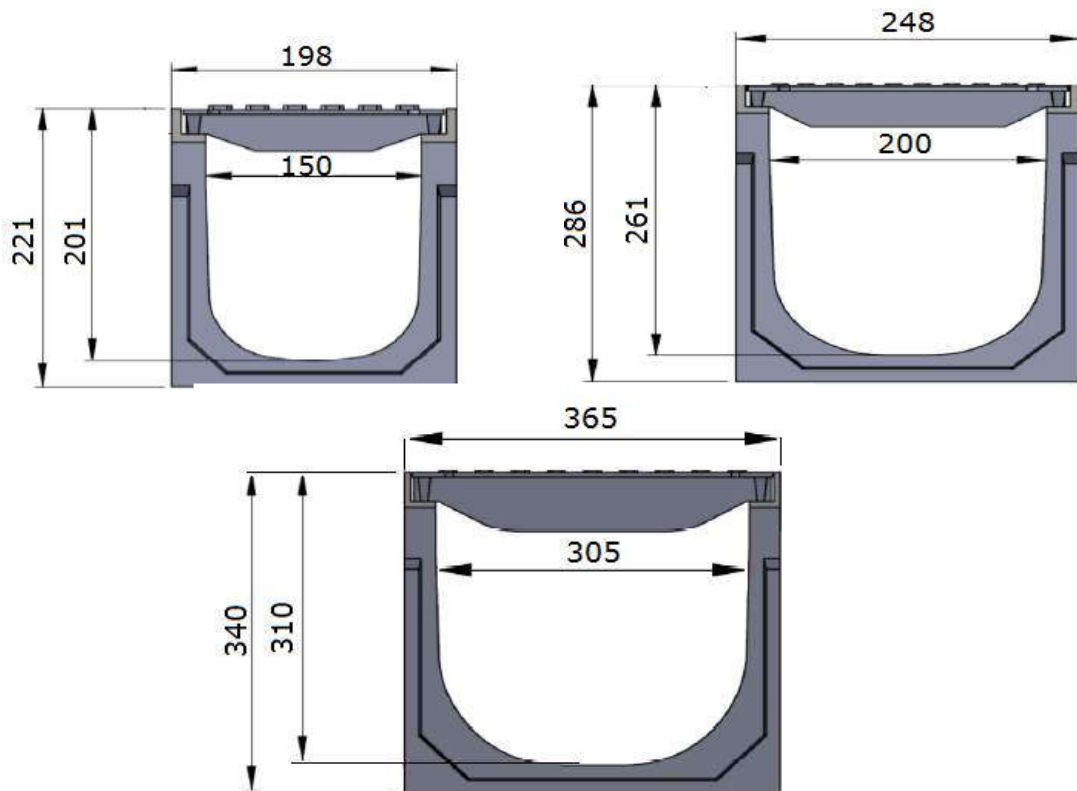


100mm Series



A new range of larger shallow channels are currently being designed so please contact us for updated information on our latest product range in this series.

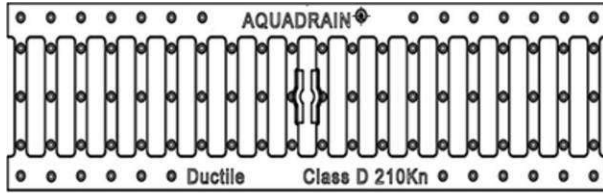
150, 200 and 300mm Series



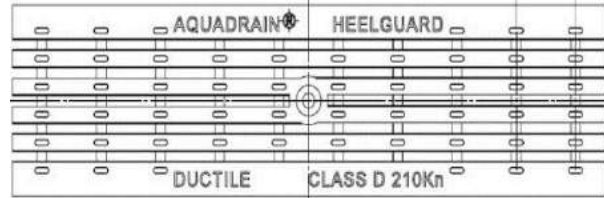


Ductile Iron Grate styles

Transverse Style



Longitudinal Heelguard Style



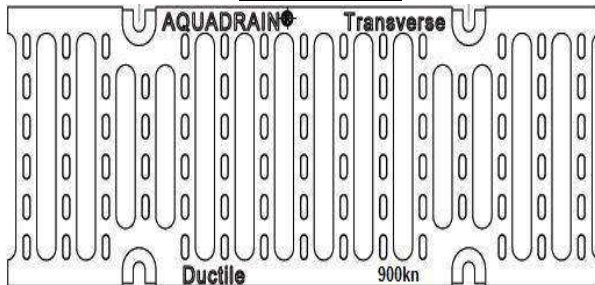
Transverse Style

The **100mm series** channels complete with transverse style 500-7 grade ductile iron grates are tested to Class D loading - 210kn. This polymer channel system is also supplied with locking bars and 8-8 high tensile lockdown bolts as standard when sold in our polymer concrete channels. These non slip grates in our 100mm series have smaller openings than those in our larger transverse style grates and are used in all areas of construction from domestic through to commercial projects.

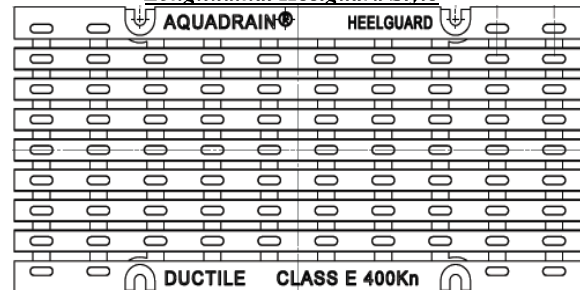
Longitudinal Heelguard Style

The **100mm series** channels complete with heelguard longitudinal 500-7 grade ductile iron grates are also tested to Class D loading - 210kn. These non slip grates are also supplied complete with the high tensile bolts and lockdown provision when sold in our polymer concrete channel system and are used in many projects of high pedestrian type areas.

Transverse Style



Longitudinal Heelguard Style

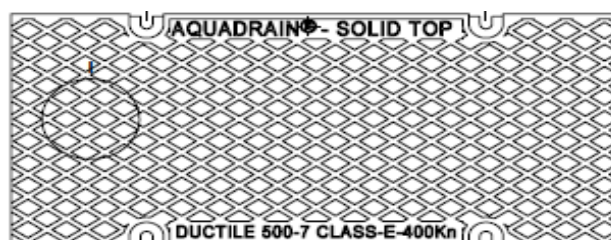


Transverse Style

The transverse styles **150, 200 and 300mm series** ductile iron 500-7 grade grates come rated as high as class G - 900kn. These grates again come supplied with 8-8 high tensile bolted lock down system. These grates can also be supplied with special security bolt downs if required.

Longitudinal Style

The heelguard longitudinal style **150, 200 and 300mm series** ductile iron 500-7 grade grates are rated to Class E - 400Kn. These grates are supplied as above with the same 8-8 high tensile lock down system and can also be supplied with security bolt down option if required.



Note – We are currently working on bolt down ductile iron solid top covers that can be used for heavy trafficable areas electrical ducting as an example.